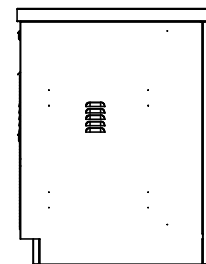
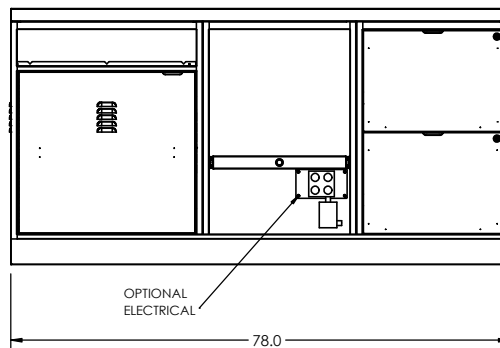
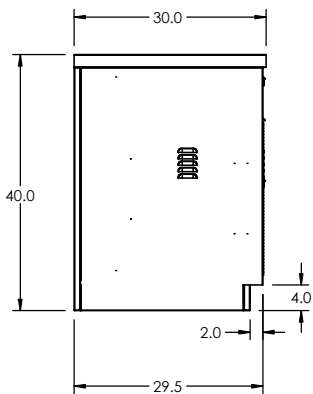
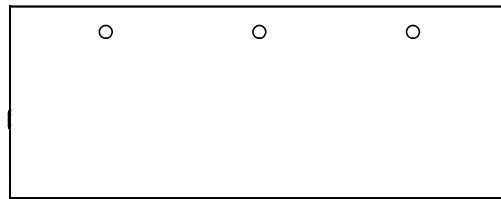
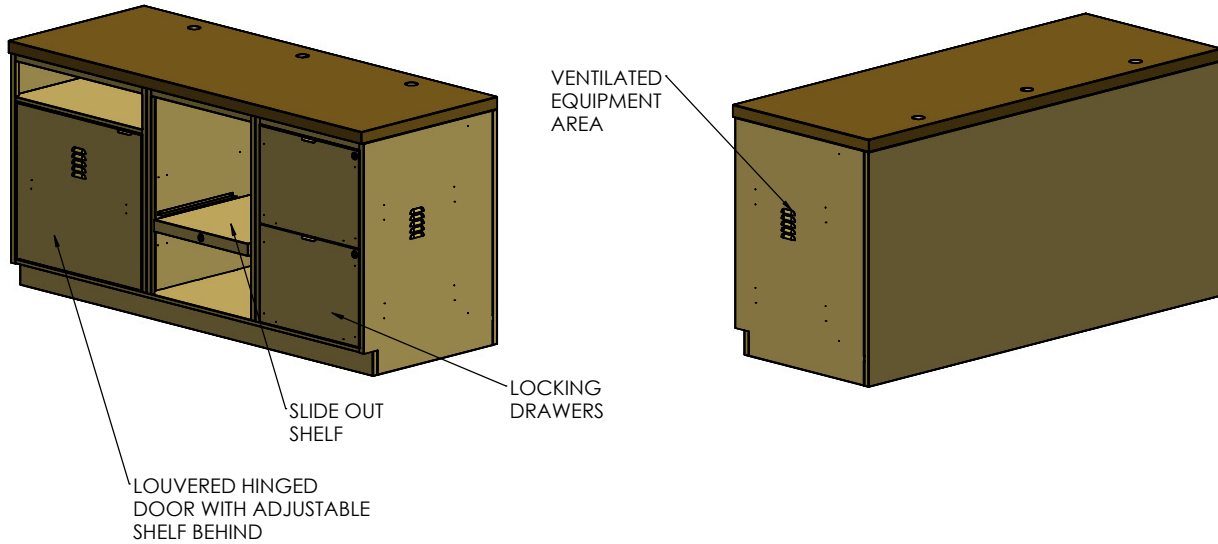


SPECIFICATION SHEET - S629

UTILITY CABINET



For additional information and options contact Lyons Store Fixtures.



LYONS
STORE FIXTURES

11301 Electron Drive • Louisville, KY 40299 • Toll Free: 1-866-478-2372 • Fax: 1-866-478-2373