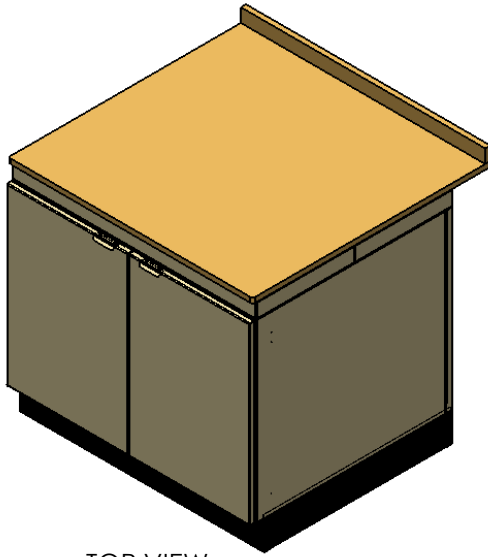


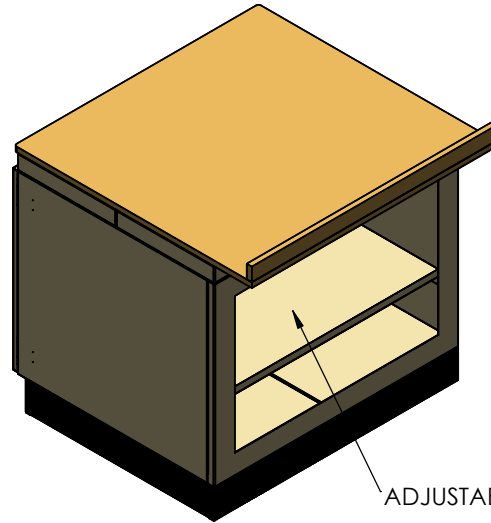
# SPECIFICATION SHEET - CS-SC-200

## DOUBLE DOOR STORAGE CABINET

FRONT ISO VIEW

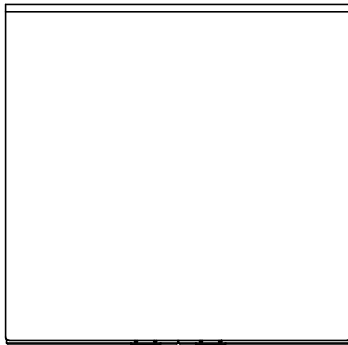


REAR ISO VIEW



ADJUSTABLE SHELF

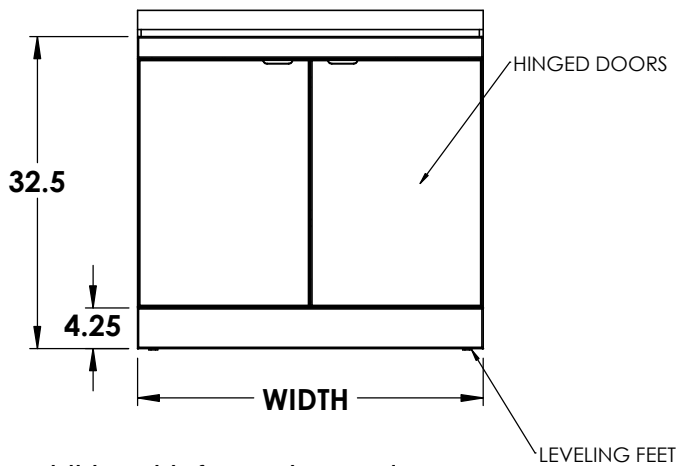
TOP VIEW



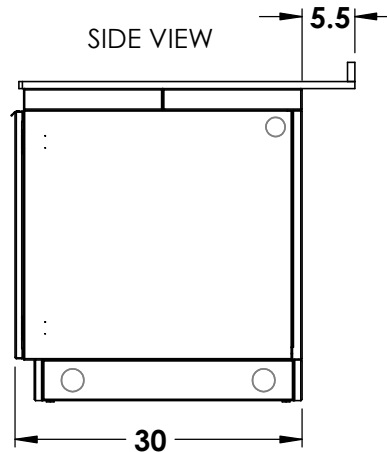
| Part Number  | Name                | Width |
|--------------|---------------------|-------|
| CS-SC-200-36 | 36" Storage Cabinet | 36    |
| CS-SC-200-42 | 42" Storage Cabinet | 42    |
| CS-SC-200-48 | 48" Storage Cabinet | 48    |

**COMBINE COUNTERS TO  
CREATE ANY LENGTH**

FRONT VIEW



SIDE VIEW



For additional information and options contact Lyons Store Fixtures.



**LYONS**  
STORE FIXTURES

11301 Electron Drive • Louisville, KY 40299 • Toll Free: 1-866-478-2372 • Fax: 1-866-478-2373